

8.4" SVGA AFOLUX Panel PC

AFL-08AH-LX

AMD Geode LX-800 500 MHz Processor

AFL-08AH-N270

Intel® Atom™ N270 1.6GHz Processor

450 nits High Brightness!



Optional 18V ~30V Wide DC Power Input



Features

- 8.4" TFT LCD with resistive touch screen
- 18V~30V wide range DC power input (Optional)
- Fanless cooling system
- Selectable AT/ATX power mode
- System memory up to 2GB SDRAM
- Built-in 802.11b/g Wireless LAN
- Built-in Bluetooth module
- Built-in two 1.5 W speakers
- One compact flash slot
- IP 64 compliant front panel

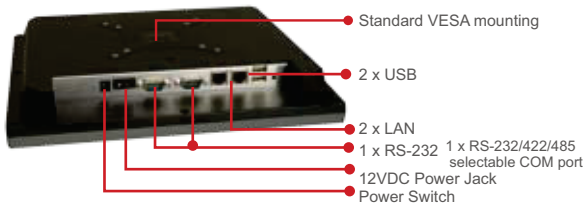
Specifications

Model	AFL-08AH-LX-R12 / AFL-08AH-LX24V	AFL-08AH-N270-R10
LCD Size	8.4"	
Max Resolution	800 x 600	
Brightness (cd/m ²)	450	
Contrast Ratio	500:1	
LCD Color	262K	
Pixel Pitch (mm)	0.213(H) x 0.213(V)	
Viewing Angle (H-V)	120°/100°	
Backlight MTBF	50000 hrs	
SBC Model	AFLMB-LX-800	AFLMB-945GSE-N270-R10
CPU	AMD LX 800 (500MHz)	Intel® Atom™ process N270 1.6GHz CPU
Chipset	AMD LX 800 + AMD CS5536	Intel® 945GSE + ICH7M
RAM	Supports one 400MHz or 533MHz DDR SO-DIMM (1GB Max.)	
I/O Ports	1 x RS232 COM Port 1 x RS-232/422/485 COM port 2 x RJ-45 for 10/100Mbps LAN 2 x USB 2.0 1 x Power Switch 1 x Reset Button 1 x Power Jack	1 x RS232 COM Port 1 x RS-232/422/485 COM port 2 x RJ-45 for Giga LAN 2 x USB 2.0 1 x Power Switch 1 x Reset Button 1 x External SATA 1 x Audio Port 1 x Power Jack
SSD	CF TypeII	
Watchdog Timer	Software programmable supports 1~255 sec. System reset	
Audio	AMP 1.5W + 1.5W (internal speaker)	
Expansion	1 x Wireless Lan 802.11 b/g Module (internal Mini PCI interface) 1 x Bluetooth Function (internal USB interface, Bluetooth V2.0)	1 x Wireless Lan 802.11 b/g Module (internal PCIe mini card interface) 1 x Bluetooth Function (internal USB interface, Bluetooth V2.0)
Drive Bay	N/A	
Optional HSUPA Module (support GSM 850, EGSM 900, DCS 1800 & 1900)	N/A	
Construction Front Panel	ABS + PC Plastic front frame	
LED Function	1 x Power ON/OFF LED on Front Panel	
Mounting	Panel, Wall, Rack, Stand and Arm VESA 75mm x 75mm	
Front Panel Color	Gray 7539U	
Dimension (WxHxD) (mm)	234 x 184 x 42	
Operation Temperature (°C)	0°C ~ 50°C	-10°C ~50°C
Storage Temperature (°C)	-20°C ~ 60°C	
N/G Weight	0.8 Kg	
IP Level	Front Frame IP64	
Safety & EMC	CE / FCC / CB / CCC	
Touch Screen	Resistive Type 4-Wire (Touch controller IC is on board)	
Power Adapter	P/N: 63000-FSP0361AD101C-RS 36W Power Adapter Input: 90VAC~264VAC, 50/60Hz Output: 12VDC	
Power Requirement	12VDC or 18~30VDC	12VDC
Power Consumption	20W	25W

1 Automation
2 Point of Service
3 Digital Signage
4 RISC-based Solutions
5 Medical Solutions

Fully Integrated I/O

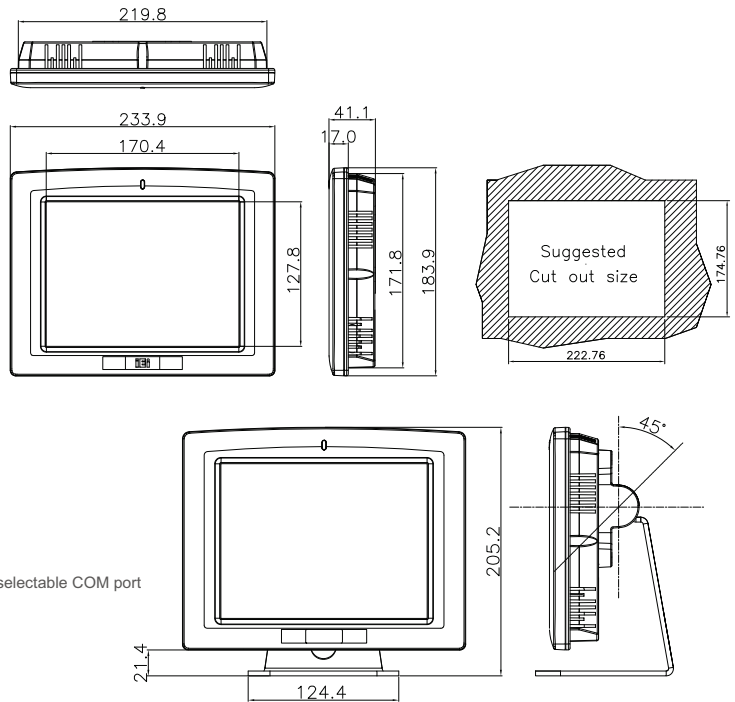
• AFL-08AH-LX



• AFL-08AH-N270



Dimensions (Unit: mm)



Ordering Information

Part Number	Description
AFL-08AH-LX/WT-R/256MB-R12	8.4" 450 cd/m ² , SVGA fanless panel PC with AMD LX-800 CPU, AT/ATX mode, 802.11b/g Wireless Module, Bluetooth Module, Touch screen and 256MB DDR RAM, R12, RoHS
AFL-08AH-LX/WT-R/512MB-R12	8.4" 450 cd/m ² , SVGA fanless panel PC with AMD LX-800 CPU, AT/ATX mode, 802.11b/g Wireless Module, Bluetooth Module, Touch screen and 512MB DDR RAM, R12, RoHS
AFL-08AH-LX24V/WT-R/256MB-R11	8.4" 450 cd/m ² , SVGA fanless panel PC with AMD LX-800 CPU, 18-30VDC input, AT/ATX mode, 802.11b/g Wireless Module, Bluetooth Module, Touch screen and 256MB DDR RAM, R11, RoHS
AFL-08AH-LX24V/WT-R/512MB-R11	8.4" 450 cd/m ² , SVGA fanless panel PC with AMD LX-800 CPU, 18-30VDC input, AT/ATX mode, 802.11b/g Wireless Module, Bluetooth Module, Touch screen and 512MB DDR RAM, R11, RoHS
AFL-08AH-N270/WT-R/1GB-R10	8.4" 450 cd/m ² , SVGA fanless panel PC with Intel® Atom™ N270 1.6GHz, 802.11b/g wireless module, bluetooth module, touch screen, 1GB DDR2 533, RoHS

Note: WiFi 802.11 draft N is upgradable.

Options

Model	AFL-08AH-LX	AFL-08AH-N270
Panel mounting kit	AFLPK-12	
Wall mounting kit	AFLWK-12	
Rack mounting kit	AFLRK-08	
ARM	ARM-11-RS / ARM-31-RS	
Stand	STAND-A08 / STAND-100-RS	
VSTAND	VSTAND-A10	
9-30VDC to 12VDC converter module	IDD-930160-KIT	
OS: Win CE 5.0 (128 MB CF card)	AFLCF-08-LX-CE-R11	N/A
OS: Win CE 6.0 (128 MB CF card)	AFLCF-08-LX-CE060-R11	AFLCF-08-N270-CE060-R10
OS: Win XPE (1 GB CF card)	AFLCF-08-LX-XPE-R11	AFLCF-08-N270-XPE-R10
OS: LINUX (2 GB CF card)	AFLCF-08-LX-LNX-R10	AFLCF-08-N270-LNX-R10
Hybrid Card Reader	AFLP-08AMSI-U	
Magnetic Stripe Reader	AFLP-08AMSR-U	
DC 12V Input UPS	AUPS-A10-R10 (7.4V 3800mAh)	
DC 9-36V Input UPS	AUPS-A20-R10 (7.4V 3800mAh)	

ISMM Support Functions

	Voltage	Fan	Smart Fan	Temperature	D_IO	WDT	Cash Drawer
AFL-08AH-LX	V			V		V	
AFL-08AH-N270	V			V		V	

Packing List

Item	Part Number	Qty	Specification
Screws Pack	44013-030041-RS	4	M3;5mm
Power Adpater	63000-FSP0361AD101C-RS	1	90-264V AC; 12V DC; 36W
Power Cord	32000-000002-RS	1	1750mm; European Standard (EU or US, Which type of cord is shipped depends on the shipment country)
Utilities CD	7B000-000087-RS	1	
Touch Pen	XTR104-0002-RS	1	

Note: AFL-08AH-LX24V model without power adapter